

ECS, MCS, & PCS

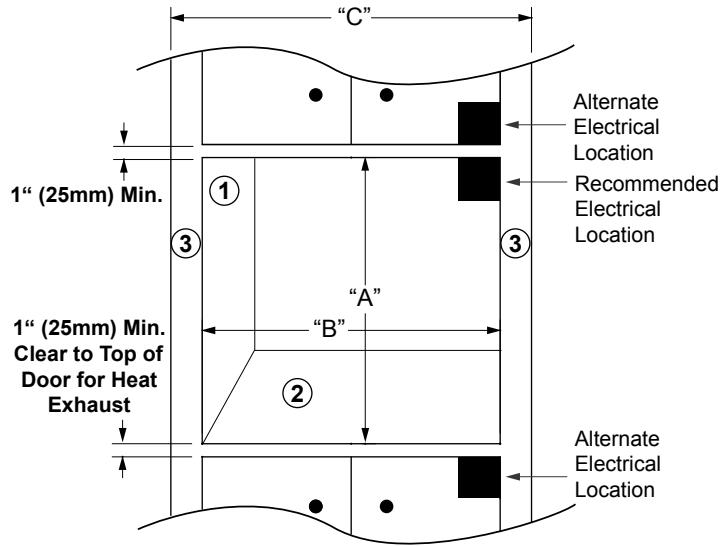


091605

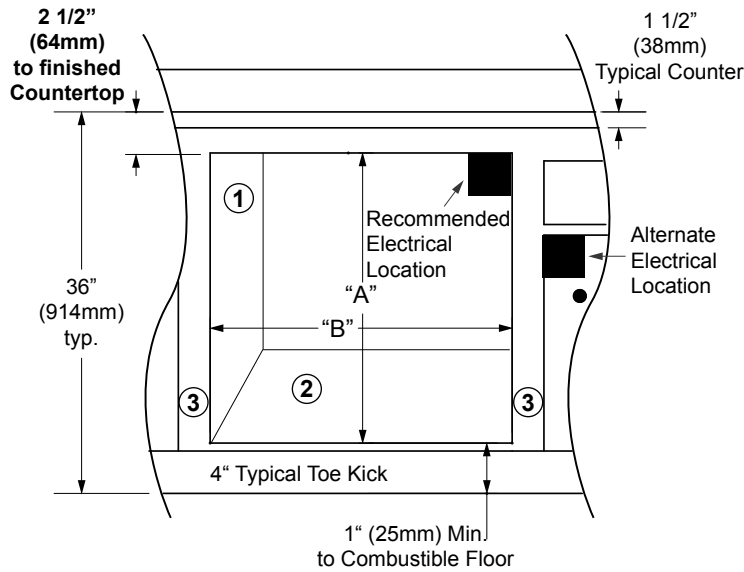
27", 30", 36" Wide, Single, Classic Wall Ovens

1/2

PLANNING GUIDE



CUTOUT DIMENSIONS



**CUTOUT DIMENSIONS
INSTALLED UNDER-COUNTER**

Models	"A" Cutout Height	"B" Cutout Width	"C" Min. Cabinet Width	Oven Overlays
27"	27 3/8" (695mm)	25 1/2" (648mm)	27" (686mm)	3/4" (19mm) Each Side; 15/16" (24mm) Top; 1/16" (1mm) Bottom
30"		28 1/2" (724mm)	30" (762mm)	
36"	27 3/4" (705mm)	34 1/2" (876mm)	36" (914mm)	



NOTES:

- 24" (610mm) minimum interior cabinet depth. Back of cabinet may need to be removed.
- 3/4" (19mm) support platform (flush with cutout).
- 1/8" (3mm) minimum clearance to adjacent cabinet doors/drawers.
- Not approved in a stack configuration.
- See the Combination Installation (CI) Section if installing with a microwave, cooktop, or downdraft.

ECS, MCS, & PCS

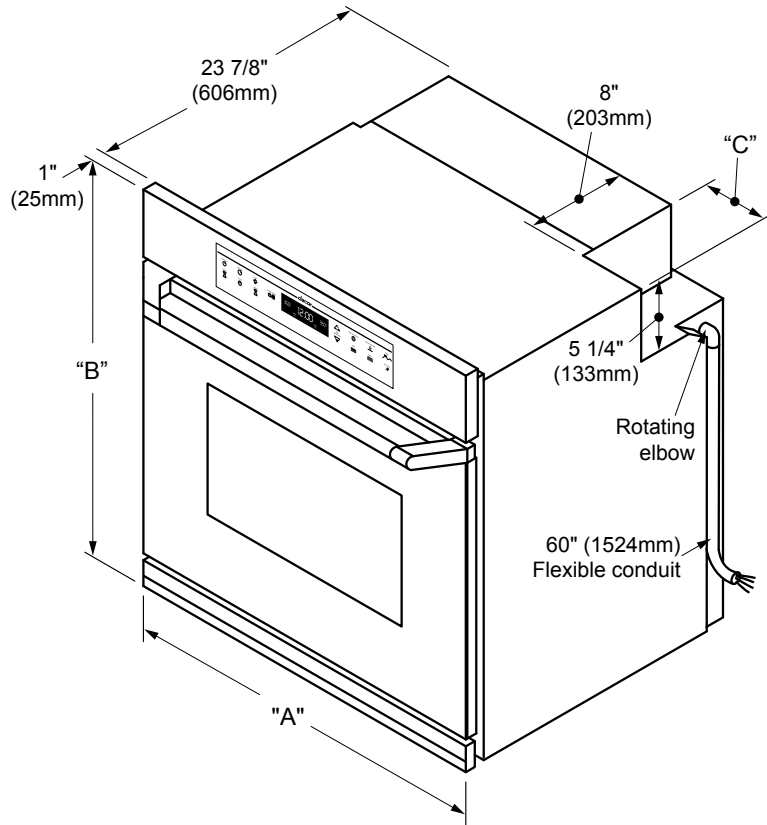
dacor
The life of the kitchen™

081705

27", 30", 36" Wide, Single, Classic Wall Ovens

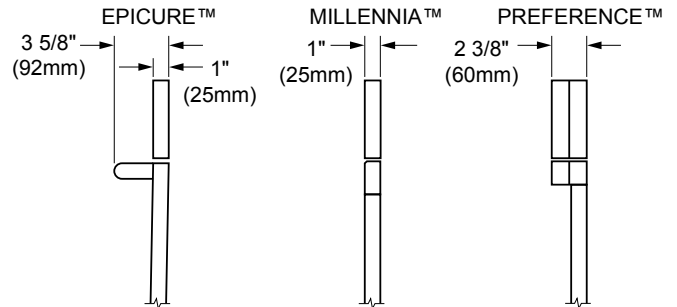
2/2

PLANNING GUIDE

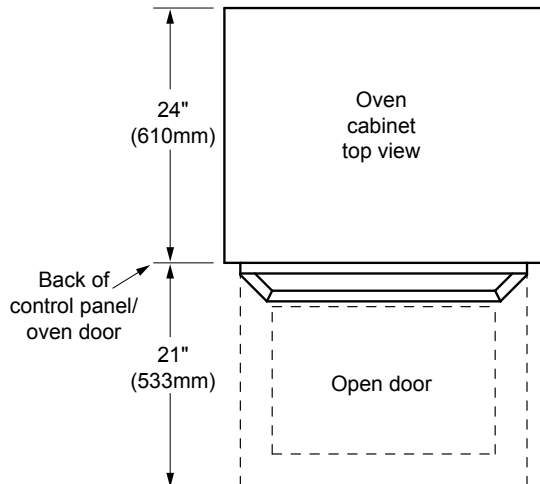


OVERALL DIMENSIONS

Models	"A" Oven Width	"B" Overall Height	"C" Recess Width
27"	27" (686mm)	28 3/8" (721mm)	6 3/16" (157mm)
30"	30" (762mm)		
36"	36" (914mm)	28 1/8" (714mm)	8 3/16" (208mm)



OVEN HANDLE DIMENSIONS



TOP VIEW

Models	Dedicated Circuit Required	Total Connected Load	Approximate Shipping Weight
27"	208/240VAC, 4-wire, 60Hz, 30A (Breaker)	208VAC, 5.2kW (25A)/ 240VAC, 5.2kW (22A)	240 lbs.
30"			
36"	240VAC, 4-wire, 60Hz, 30A (Breaker)	240VAC, 7.0kW (29A)	290 lbs.

Web: <http://www.dacor.com>
Corporate Phone: 800-793-0093

Specifications are subject to change without notice. **1.2**
See installation instructions for additional details. L65346 rev D