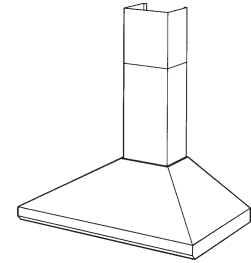


61000 SERIES RANGE HOOD



An enduring stainless steel design that combines the flawless look of Italian style with a lasting impression.

FEATURES

- Italian design
- Wall mount
- Finish: 304 Stainless Steel #4 Brushed
- Widths: 30", 35-7/16" (90cm), 48"
- Ducted/non-ducted telescopic flue accommodates 8' to 9' ceilings
- Convertible to ducted or non-ducted operation (excludes 48" model)
- 6" round duct connector/backdraft damper (30" and 35-7/16" widths) or 8" round duct connector/backdraft damper (48" width only)
- Halogen lighting (2 x 20 watt, on 30" and 35-7/16" widths; 4 x 20watt, on 48" width) (Type JC 12V 20W G4 base, bulbs included)
- Concealed three-speed slide control
- 450 CFM centrifugal blower (30" and 35-7/16" (90cm) widths) or 900 CFM of exhaust achieved with two centrifugal blowers (48" width only)
- Dishwasher-safe filters feature a quick-release latch and polished stainless steel
- Heat Sentry™ - automatically turns blower to high speed when excess cooking heat is detected

OPTIONS

- Replacement grease filters available
- Non-ducted filter kit (contains two 6" round filters) (Model ROUNDFILTER)
- Flue extension for 10' ceiling (Model RFX6104 for 30" and 35-7/16" widths; Model RFX6104EX for 48" width) (Ducted only)
- Exterior blower version for 35-7/16" and 48" widths (61000EX) available, providing 600, 900, 1200, or 1500 CFM exhaust



HVI-2100 CERTIFIED RATINGS comply with new testing technologies and procedures prescribed by the Home Ventilating Institute, for off-the-shelf products, as they are available to consumers. Product performance is rated at 0.1 in. static pressure, based on tests conducted in AMCA's state-of-the-art test laboratory. Sones are a measure of humanly-perceived loudness, based on laboratory measurements.

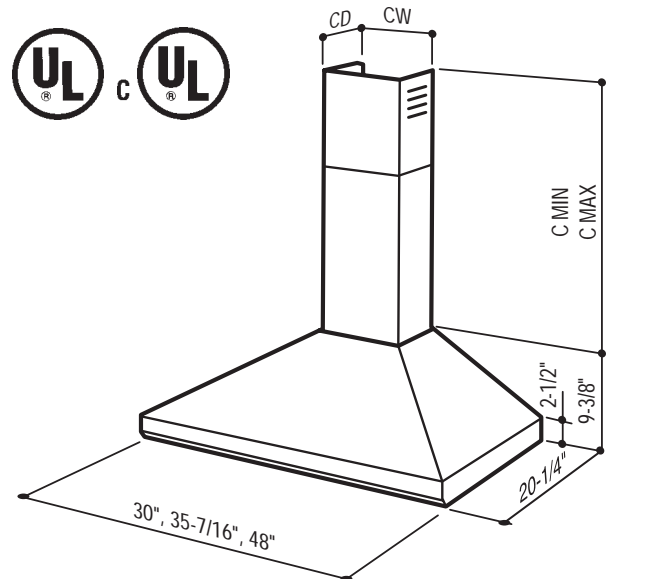
Broan-NuTone LLC, 926 West State Street, Hartford, WI 53027 (1-800-637-1453)

NuTone, Inc., 4820 Red Bank Road, Cincinnati, OH 45227 (1-800-543-8687)

Broan-NuTone Canada, Inc., 1140 Tristar Drive, Mississauga, Ontario, L5T 1H9 (1-888-882-7626)

SPECIFICATIONS

WIDTH	VOLTS	AMPS	CFM	SONES	DUCT
30"	120	3.13	450	9.0	6" round
35 ⁷ / ₁₆ " (90cm)	120	3.13	450	9.0	6" round
48"	120	6.26	900	9.5	8" round



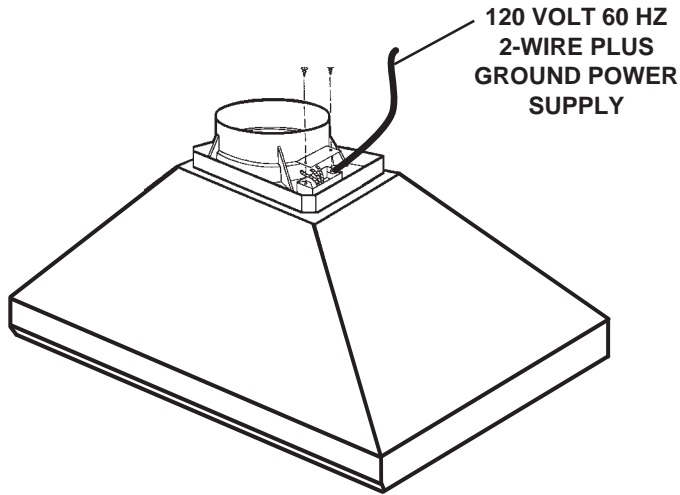
	C MIN	C MAX	CD	CW
613004	25-5/8"	45-1/2"	6-5/8"	9-1/4"
619004	25-5/8"	45-1/2"	6-5/8"	9-1/4"
614804	22"	37"	10-3/8"	12-3/4"

Mount range hood so bottom of hood is 24" minimum above cooking surface.

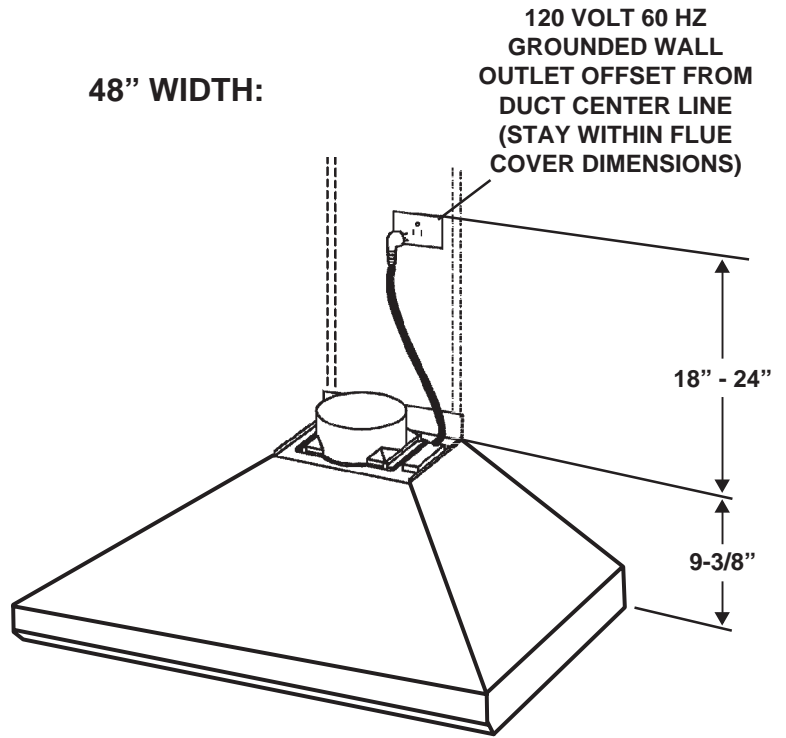
REFERENCE	QTY.	REMARKS	Project
			Location
			Architect
			Engineer
			Contractor
			Submitted by
			Date

61000 SERIES WIRING

30" and 35-7/16" (90cm) WIDTHS:



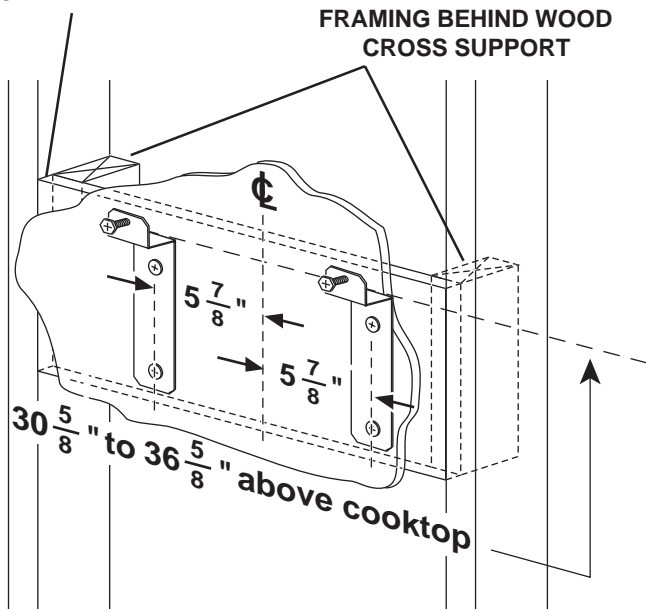
48" WIDTH:



61000 SERIES MOUNTING

30" and 35-7/16" (90cm) WIDTHS:

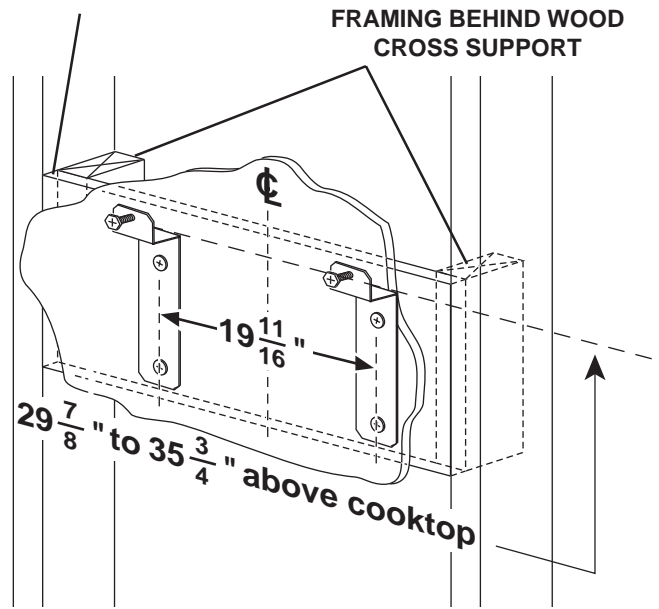
WOOD CROSS SUPPORT – SECURED TO FRAMING AND LOCATED BEHIND DRYWALL



30-5/8" = bottom of hood 24" above cooktop
36-5/8" = bottom of hood 30" above cooktop

48" WIDTH:

WOOD CROSS SUPPORT – SECURED TO FRAMING AND LOCATED BEHIND DRYWALL



29-7/8" = bottom of hood 24" above cooktop
35-3/4" = bottom of hood 30" above cooktop

RANGEMASTER
by Broan-NuTone

Broan-NuTone LLC, 926 West State Street, Hartford, WI 53027 (1-800-637-1453)

NuTone, Inc., 4820 Red Bank Road, Cincinnati, OH 45227 (1-800-543-8687)

Broan-NuTone Canada, Inc., 1140 Tristar Drive, Mississauga, Ontario, L5T 1H9 (1-888-882-7626)