

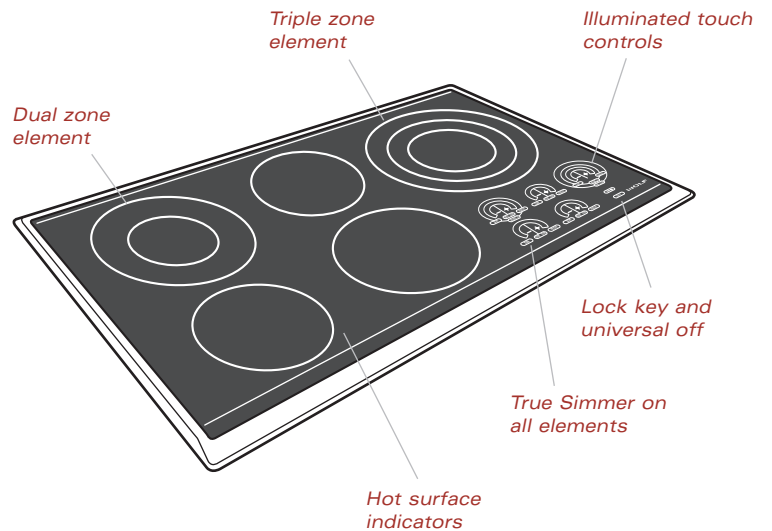
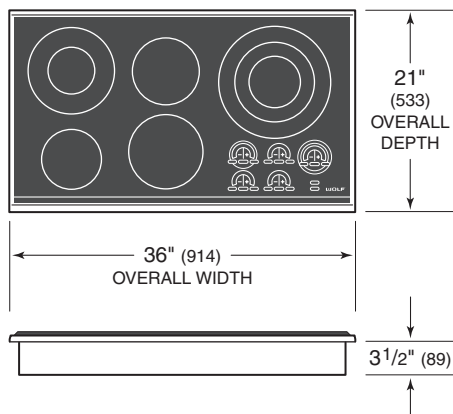
36" (914) Electric Cooktop

MODEL CT36E

FEATURES

- ▶ Classic, platinum and carbon stainless steel trim finishes
- ▶ Easy to clean black ceramic glass surface is resistance to scratching, staining, impact and heat – translucent surface allows you to see the glow of hot elements
- ▶ Illuminated touch controls with graduated control lighting
- ▶ Five ribbon-type radiant heating elements with eight temperature zones
- ▶ Triple and dual zone element radiant heaters
- ▶ True Simmer setting on all elements
- ▶ Melt setting on one element
- ▶ Hot surface indicators on all elements
- ▶ Fast power cycles eliminate long durations of on/off cycles used to control cooking temperature
- ▶ Temperature limiter to ensure that safe operating temperature of glass ceramic is never exceeded
- ▶ Child safety lock key and universal off
- ▶ Certified by Star-K to meet religious regulations
- ▶ CSA certified for US and Canada
- ▶ Two and five year residential warranty – exclusions apply, see warranty at the end of this guide

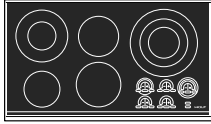
OVERALL DIMENSIONS ▼



- ▶ Dimensions may vary by $\pm 1/8"$ (3).
- ▶ Dimensions in parentheses are in millimeters unless otherwise specified.

36" (914) Electric Cooktop

MODEL CT36E



Model CT36E

TRIM FINISH

- ▶ Classic Stainless Steel CT36E/S
- ▶ Platinum Stainless Steel CT36E/P
- ▶ Carbon Stainless Steel CT36E/B

VENTILATION OPTIONS

- ▶ Chimney Wall or Island Hood
- ▶ Downdraft Ventilation System
- ▶ Pro Series Wall or Island Hood

Refer to the Wolf Cooktop Ventilation or Pro Series Ventilation sections for additional information.

ACCESSORIES

- ▶ Filler strip

Contact your Wolf dealer for additional information on accessories.

SPECIFICATIONS

Overall Cooktop Width	36" (914)
Overall Cooktop Height	3 ¹ / ₂ " (89)
Overall Cooktop Depth	21" (533)
Cooktop Cut-out Width	34 ³ / ₈ " (873)
Cooktop Cut-out Depth	19 ¹ / ₄ " (489)
Minimum Cabinet Depth	22 ³ / ₄ " (578)

Five Heating Elements with Eight Zones

- Triple zone element power (max) –
2,700W outer / 2,200W middle / 1,050W inner
- Dual zone element power (max) –
2,200W outer / 750W inner
- Three single zone elements power (max) –
1,800W, 1,500W and 1,200W

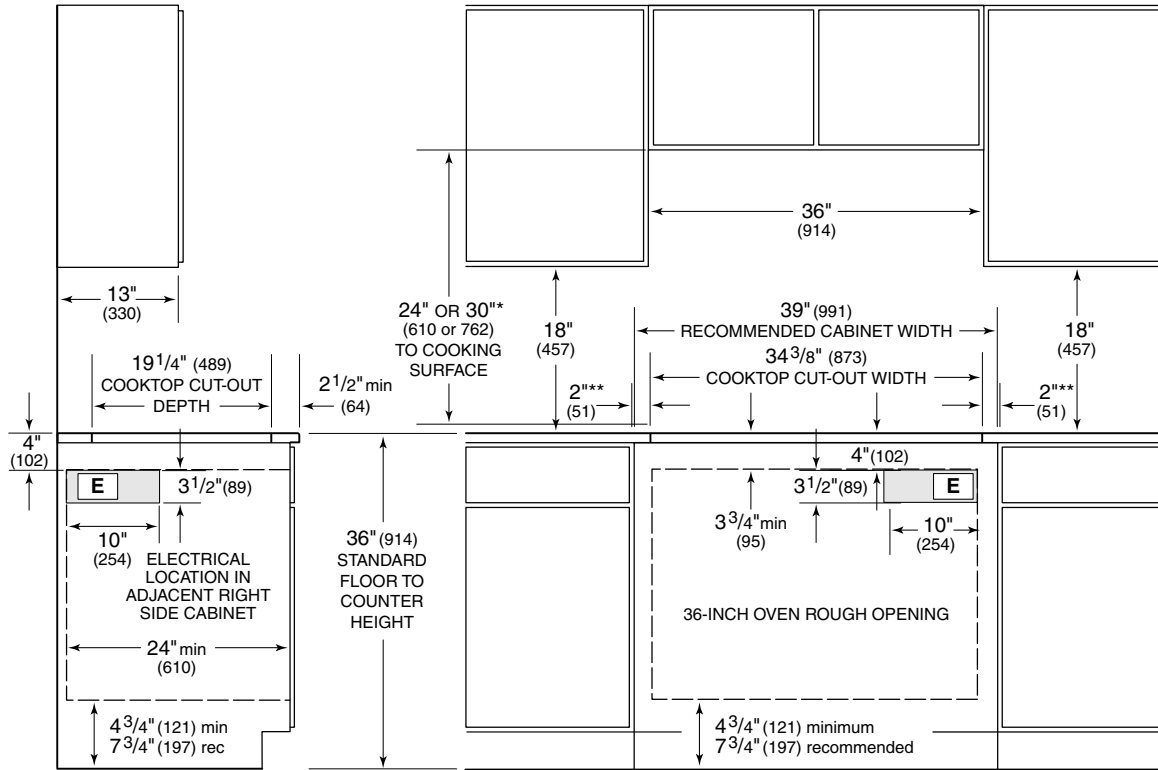
Electrical Supply Requirements	240 V AC, 60 Hz, 50 amp dedicated circuit
Conduit	4 ft (1.2 m) flexible 3-wire
Total Connected Load	9.4 Kw at 240 V 7.1 Kw at 208 V
Shipping Weight	60 lbs (27 kg)
Special Note	Cooktop can be installed above a Wolf 36" (914) built-in oven

- ▶ Specifications are subject to change without notice

▶ Dimensions in parentheses are in millimeters unless otherwise specified.

36" (914) Electric Cooktop

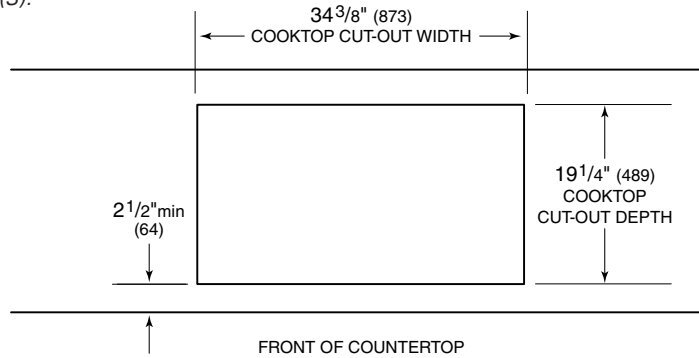
INSTALLATION



* Minimum 24" (610) from protected cabinet or 30" (762) from unprotected cabinet to cooking surface.

** Minimum clearance from side edge of cooktop cut-out to combustible surface up to 18" (457) above cooking surface.

► Dimensions may vary by $\pm 1/8"$ (3).



DIMENSIONS

Cooktop Cut-Out Width	34 ³ / ₈ " (873)
Recommended Cabinet Width	39" (991)
Cooktop Cut-Out Depth	19 ¹ / ₄ " (489)
Location of Electrical	Within shaded area

- See Installation Instructions shipped with unit for detailed specifications.
- Dimensions in parentheses are in millimeters unless otherwise specified.

36" (914) Electric Cooktop

INSTALLATION

INSTALLATION NOTES

- ▶ Wolf recommends using 39" (991) cabinets with the 36" (914) cooktop.
- ▶ A Wolf single 36" (914) built-in oven may be installed below this cooktop. Refer to the illustration for specifics on cut-out dimensions and placement of electrical. Be aware of the depth of the cooktop when planning for this installation.
- ▶ Wolf electric cooktops are designed and agency approved for installation with Wolf built-in ovens only. The cooktop nominal width must match the built-in oven nominal width.
- ▶ When a 36" (914) oven is installed below a cooktop, it is recommended that an additional 3" (76) be added to the cabinet base to ease the use of controls and oven door.
- ▶ The Wolf 36" (914) electric cooktop requires a separate, grounded 3-wire 240V, 50 amp service with its own circuit breaker. It is provided with a 4' (1.2 m) flexible 3-wire conduit that can make a connection at a junction box. Locate electrical within the shaded area shown in the illustration.
- ▶ You must follow all National Electrical Code regulations. In addition, be aware of local codes and ordinances when installing your service.
- ▶ If the 36" (914) cooktop is to be used with any combination of additional cooktop units or modules with a filler strip, the cut-out width increases to 35" (889).
- ▶ A Wolf ventilation system is recommended. When installing a ventilation hood, refer to the specific requirements of the hood for the minimum dimension to cooking surface.

▶ *Dimensions in parentheses are in millimeters unless otherwise specified.*