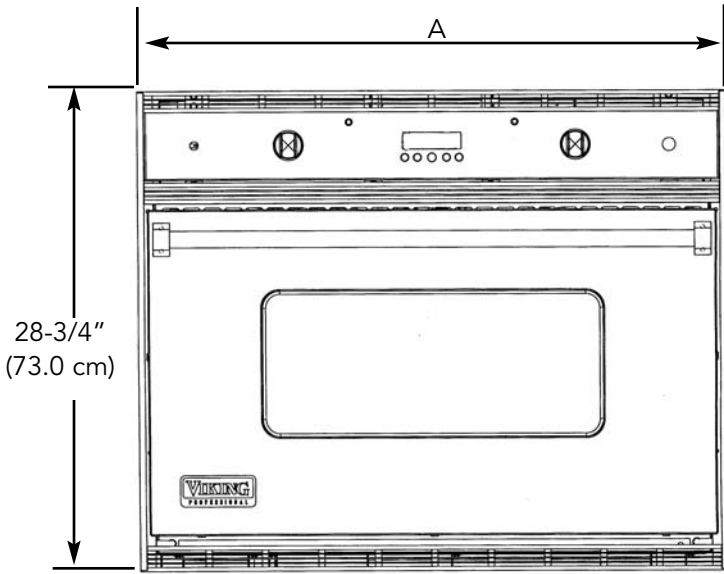
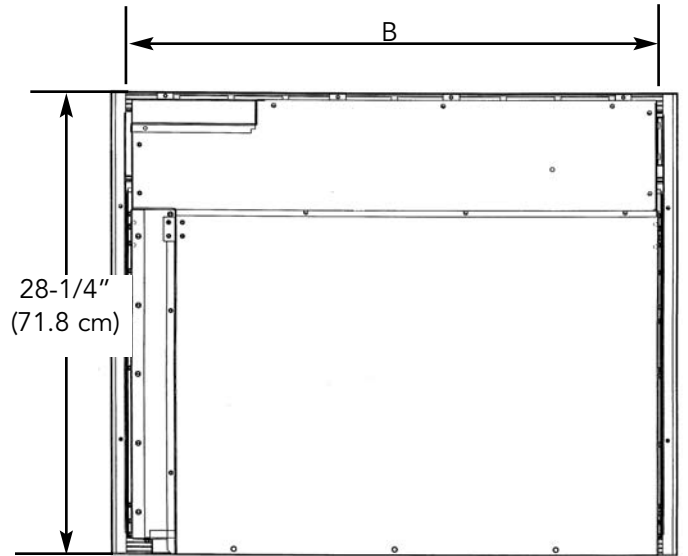


# SINGLE OVEN DIMENSIONS

## FRONT

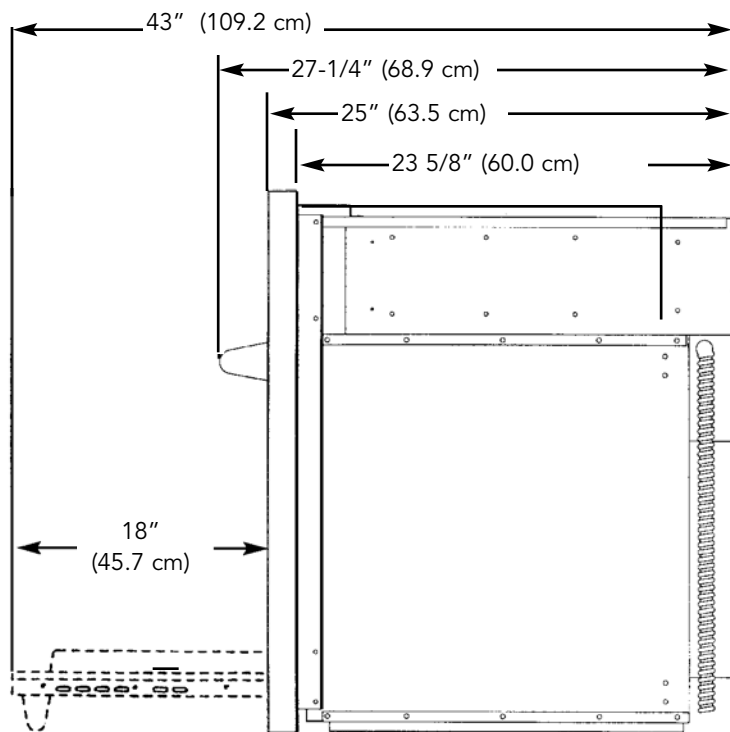


## REAR

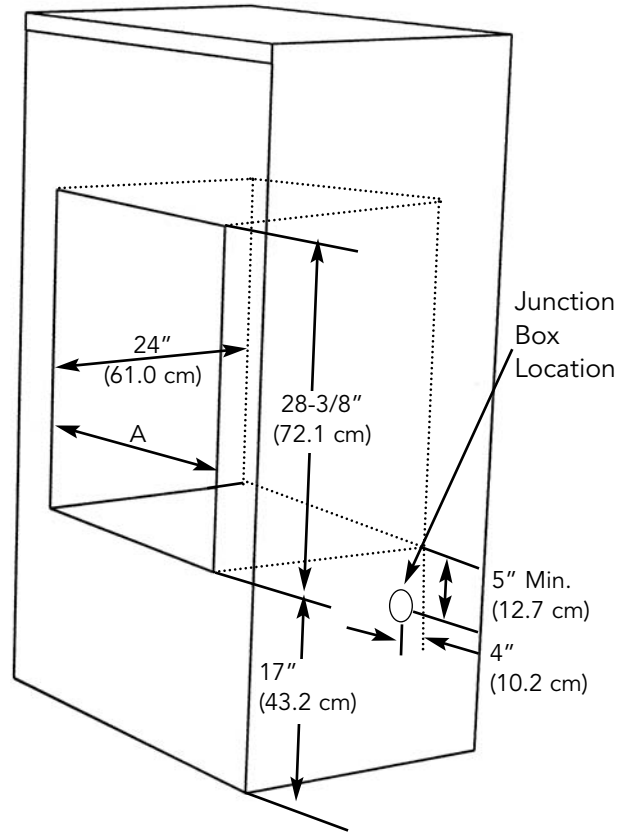
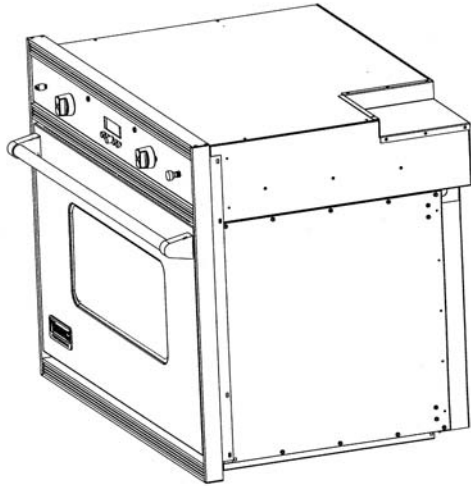


Model	A	B
VESO177C	26-1/2" (67.3 cm)	24-3/4" (62.9 cm)
VESO107C	29-1/2" (75.0 cm)	27-3/4" (70.5 cm)
VESO165C	35-1/4" (89.5 cm)	33-3/4" (85.7 cm)

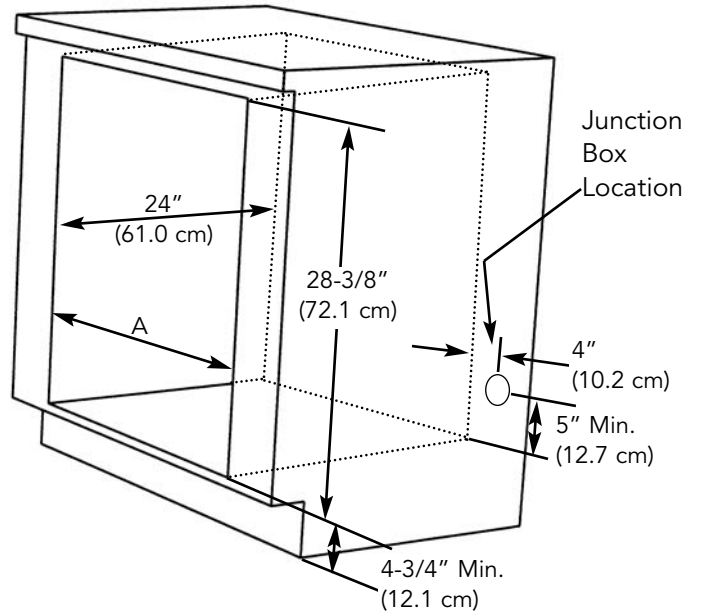
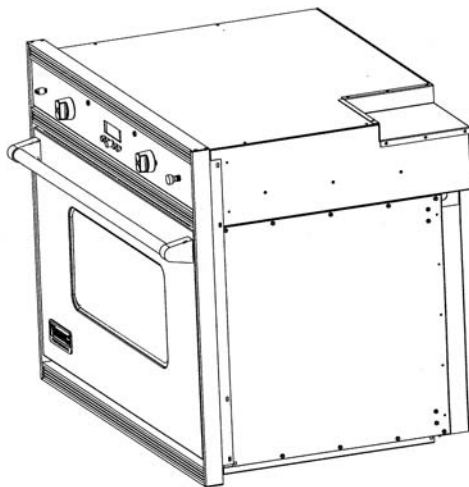
## SIDE



# SINGLE OVEN CUTOUT DIMENSIONS IN WALL CABINET



## UNDERCOUNTER



Model	A
VESO177C	25" (63.5 cm)
VESO107C	28" (71.1 cm)
VESO165C	34" (86.4 cm)

## SPECIFICATIONS-ELECTRIC SINGLE OVEN

DESCRIPTION	VESO177C	VESO107C	VESO165C
Overall Width	26-1/2" (67.3 cm)	29-1/2" (75.0 cm)	35-1/4" (89.5 cm)
Overall Height	28 3/4" (73.0 cm)		
Overall Depth	To edge of door - To end of handle bracket - With door open -	25" (63.5 cm) 27 1/4" (68.9 cm) 43" (109.2 cm)	
Cutout Width	25" (63.5 cm)	28" (71.1 cm)	34" (86.4 cm)
Cutout Height	28-3/8" (72.1 cm)		
Cutout Depth	24" (61.0 cm)		
Electrical Requirements	4-wire with ground, 240-208/120 VAC/60 Hz, 30 amp electrical connection. Unit is equipped with No.10 ground wire in conduit. Should be fused separately.		
Maximum Usage	240V 208V	6062 watts; 25.3 amps 4725 watts; 22.1 amps	6562 watts; 27.3 amps 5100 watts; 24.5 amps
Preheat Rating	240V 208V	5750 watts 4315 watts	5750 watts 4315 watts
Broil Element Rating		<u>240V</u> Maxi Broil 3000 watts Mini Broil 1250 watts	<u>208V</u> 2250 watts 940 watts
Bake Element Rating	240V 208V	2750 watts 2065 watts	2750 watts 2065 watts
Convection Cook Element Rating		240V - 2200 watts 208V - 1650 watts	
Oven Interior Width	20" (50.8 cm)	23" (58.4 cm)	29" (73.7 cm)
Oven Interior Height	16-1/8" (41.0 cm)		
Oven Interior Depth		15-3/8" (39.1 cm)	
Oven Interior Overall Size •Three racks / Six positions	2.8 cu. ft.	3.3 cu. ft.	4.2 cu. ft.
Approximate Shipping Weight	237 lbs. (106.7 kg)	261 lbs. (117.5 kg)	330 lbs. (148.6 kg)