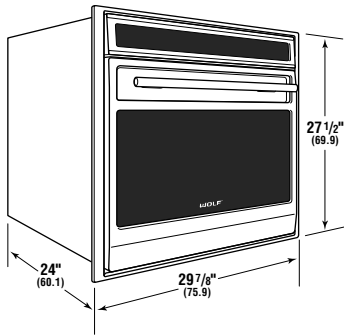


# WOLF 30" SINGLE OVEN



30-inch Single Oven Overall Dimensions  
Model SO30F (framed) shown

## PLANNING AND DESIGN INFORMATION

While you have many design options to consider from a selection point of view, there are only three different sizes to consider when planning for your layout. You can choose either a single 30 or 36 inch single oven or a double 30-inch model.

We have shown you the overall sizes to consider when planning for your layout in the kitchen.

## ELECTRICAL REQUIREMENTS

Wolf single 30-inch oven requires a separate, properly grounded four-wire 240 volt, 30 amp service with its own circuit breaker.

The 30-inch single oven is provided with a four-foot flexible four-wire conduit, which can make a connection at a junction box.

The electrical box's face must be mounted flush with the back wall. Outlets can be placed in adjacent cabinets as long as the electrical box is within reach of the oven's cable, and a hole is provided for the conduit.

The single ovens are rated at 5.1 Kw at 240 volts. At 208 volts the 30-inch single oven is rated at 3.8 Kw. Each oven unit needs a dedicated 30 amp service.

You must follow all National Electrical Code regulations. In addition, be aware of local codes and ordinances when installing your service.

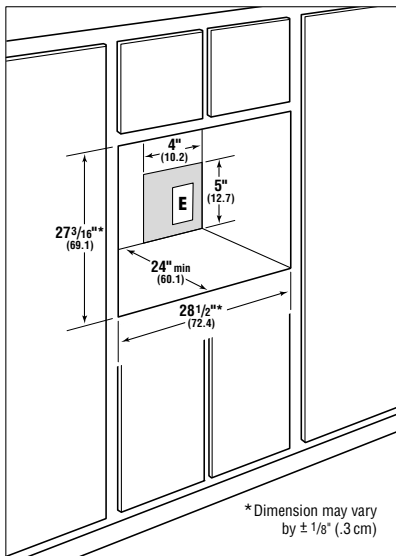
**IMPORTANT NOTE:** The single 30-inch oven may be installed below a Wolf electric or gas cooktop. Please refer to the Cooktop Section for the depth of these cooktops and for specifics on cut-out dimensions for undercounter applications. You can not install an oven below a Wolf rangetop.

## SPACE REQUIREMENTS

The finished cut-out dimensions you need to incorporate into your plans are noted below. We have minimized the information contained in the illustrations concentrating on the critical information that you must plan into the installation.

All Wolf ovens have a face trim that is on all four sides and will overlap stiles and rails. The trim overlaps 1/8-inch on the bottom of all ovens, and 11/16 on each side of the 30-inch ovens. The top overlap is 3/16-inch on all units.

**IMPORTANT NOTE:** We recommend using 33-inch cabinets with our 30-inch oven. Also, it is imperative that you have 24 inches of usable cabinet depth space for the oven. The electrical outlet must be flush with the back wall to allow for the proper installation of our oven.



Cut-out dimensions and electrical placement for 30-inch single built-in oven.