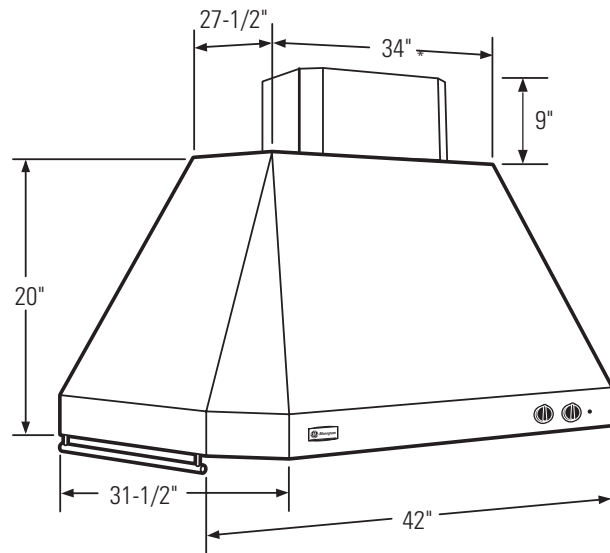




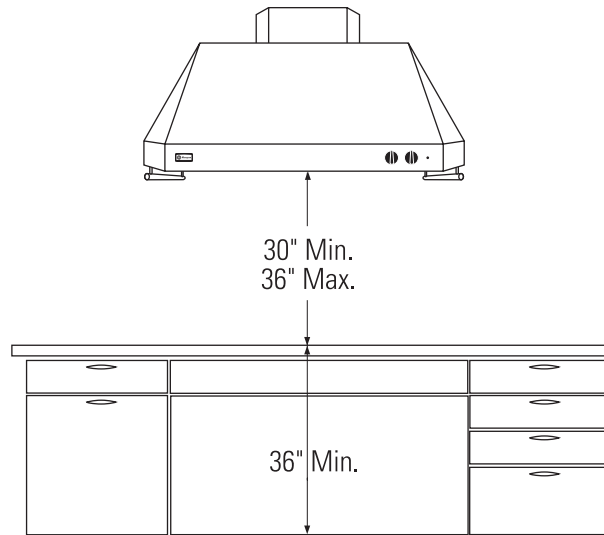
Monogram®

ZV42ISHSS – GE Monogram 42" Professional Taper-Sided Island Hood

Dimensions and Specifications (in inches)



*9" for ceiling heights of 7' 11" to 8' 5" using the supplied support frame and duct cover.



This vent hood is designed to be used in ceiling mounted installations.

Duct Cover Accessories

ZX42DC10—For ceiling heights of 8' 6" to 10' 4". Includes telescoping support frame and decorative cover.

Order accessory at the same time as the vent hood and have on site before installation begins.

Product Clearances

These vent hoods must be installed 30" min. to 36" max. above the cooking surface. Exact installation height is determined by ceiling height. The cooking surface should be at least 36" above the floor.

Important: Clearances may vary due to type of cooking product and local codes. Check with local inspectors to be sure standard is applicable.

When installing the Island Hood above a Monogram Professional Range or Cooktop, installation clearance must be at least 30"



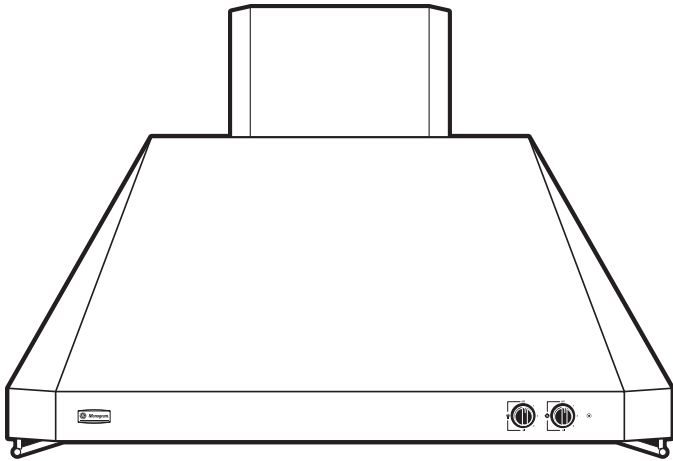
Listed by
Underwriters
Laboratories

For answers to your Monogram,® GE Profile™ or GE® appliance questions, visit our website at GEAppliances.com or call GE Answer Center® service, 800.626.2000.



Monogram®

ZV42ISHSS – GE Monogram 42" Professional Taper-Sided Island Hood



Features and Benefits

- Sophisticated styling
- Powerful ventilation—1200 CFM
- Efficient capture performance
- Halogen light—Provides bright light that illuminates the cooking surface below hood
- Removable stainless steel filters
- Stainless steel utensil racks